



INSTALLATION INSTRUCTIONS

Accessory

REARVIEW MIRROR
P/N OSV05-HL4-300

Application

"After 21YM"
SXS1000M3P/M3D/
M3LS/ M5P/M5D/M5LS

Publication No.

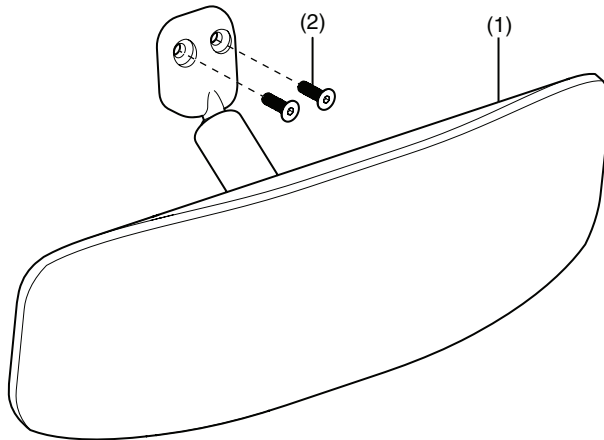
MII 17762

Issue Date

February 2022

Honda Dealer: Please give a copy of these instructions to your customer.

PARTS LIST



No.	Description	Qty
(1)	Rearview Mirror	1
(2)	4 x 14 mm screw	2

TOOLS AND SUPPLIES REQUIRED

4 mm hex wrench

TORQUE CHART

Tighten all screws, bolts, and nuts to their specified tightening torque values. Refer to the Service Manual for the tightening torque values of the removed parts.

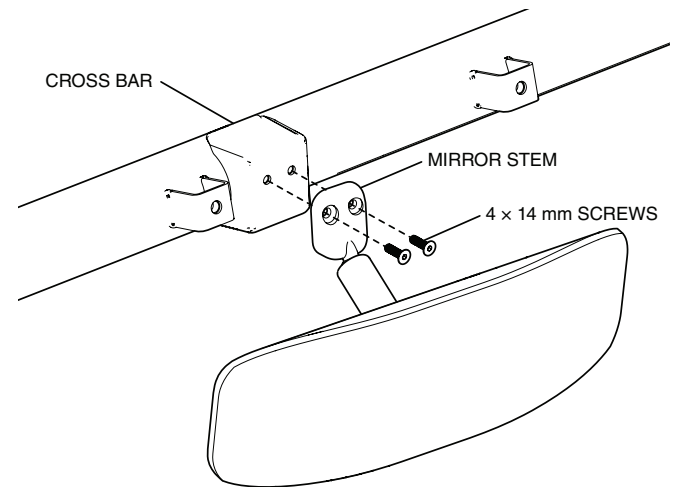
Item	N·m	kgf·m	lbf·ft
4 mm screw	1	0.1	0.7

USE AND CARE INFORMATION

- Check the accessory mount frequently and retighten if necessary.
- Replace this accessory with a new one if it is damaged or discolored excessively.
- When this accessory becomes dirty, rinse it thoroughly with cool water to remove loose dirt, then wipe with a clean cloth or sponge.
- Do not use a brush to clean this accessory as it may scratch the surface.
- Never clean with or expose this accessory to petroleum solvents such as gasoline, thinner, benzene, acid, or alkaline cleaners.

INSTALLATION

1. Insert two 4 x 14mm screws through the slots in the base of the mirror stem and into the holes in the cross bar as shown.



2. Tighten the screws using the tightening torque specified in the Torque Chart.